

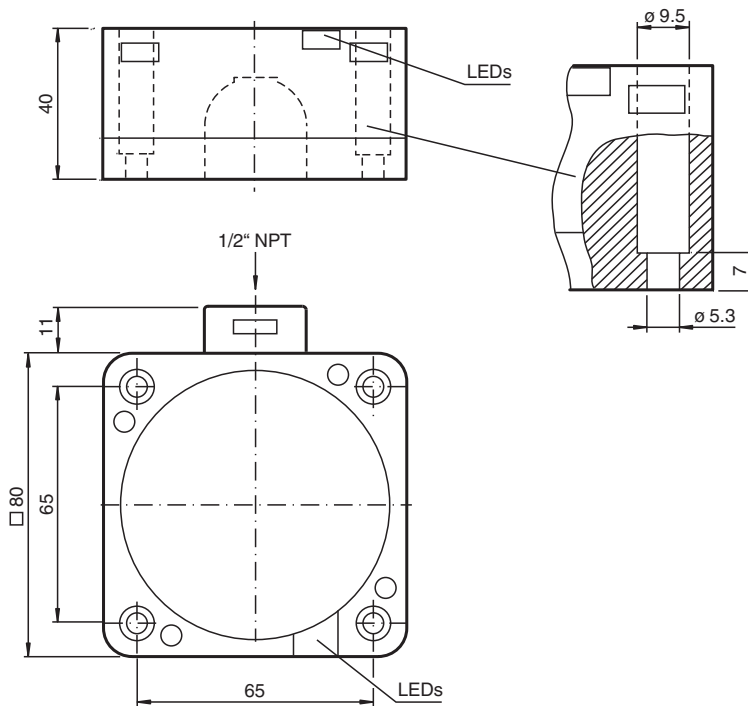


Inductive sensor NCN50-FP-W-P4

- Comfort series
- 50 mm non-flush
- 2-wire AC



Dimensions



Technical Data

General specifications

Switching function		Normally open/closed (NO/NC)
Output type		Two-wire
Rated operating distance	s_n	50 mm
Installation		non-flush
Output polarity		AC
Assured operating distance	s_a	0 ... 40.5 mm
Reduction factor r_{Al}		0.4
Reduction factor r_{Cu}		0.3
Reduction factor r_{304}		0.85

Release date: 2024-05-27 Date of issue: 2024-05-31 Filename: 182960_eng.pdf

Refer to "General Notes Relating to Pepperl+Fuchs Product Information".

Pepperl+Fuchs Group
www.pepperl-fuchs.com

USA: +1 330 486 0001
fa-info@us.pepperl-fuchs.com

Germany: +49 621 776 1111
fa-info@de.pepperl-fuchs.com

Singapore: +65 6779 9091
fa-info@sg.pepperl-fuchs.com

PF PEPPERL+FUCHS

Technical Data

Output type		2-wire
Nominal ratings		
Operating voltage AC	U_B	20 ... 253 V
Switching frequency	f	0 ... 20 Hz
Hysteresis	H	typ. 3 %
Voltage drop	U_d	≤ 5 V typ. 4V
Momentary current (20 ms, 0.1 Hz)		max. 4000 mA
Operating current	I_L	5 ... 500 mA
Off-state current	I_r	0.3 ... 1 mA typ. 0.7 mA
Time delay before availability	t_v	≤ 100 ms
Operating voltage indicator		LED, green
Switching state indicator		LED, yellow
Compliance with standards and directives		
Standard conformity		
Standards		EN IEC 60947-5-2
Approvals and certificates		
UL approval		cULus Listed, General Purpose
CSA approval		cCSAus Listed, General Purpose
CCC approval		Certified by China Compulsory Certification (CCC)
Ambient conditions		
Ambient temperature		-25 ... 70 °C (-13 ... 158 °F)
Mechanical specifications		
Connection type		screw terminals
Core cross section		max. 2.5 mm ²
Housing material		PBT/metal
Sensing face		PBT
Housing base		metal
Degree of protection		IP68
Tightening torque, housing screws		1 Nm
Dimensions		
Height		40 mm
Width		80 mm
Length		80 mm
Note		¹⁾ In the temperature range below 0 °C, permissible operating voltage U_b 80...253 V Safety fuse ≤ 2 A (quick-blow) according to IEC 60127-2 Sheet 1 Recommendation: after a short circuit, check that the device is functioning correctly.

Connection

